

E.C.N.	ZONE	REV	DESCRIPTION	DATE	BY	APPROVALS
		①	REVISED PER MARKED SCHEMATIC OF 3/8/91	3/13/91	TLM	TE
H7, E7 H8, E8		②	ADDED DIODES D198-199 AND D899-900 ADDED RESISTORS R818, R819 AND R100, R101 D198, D199, D899, D900 HAS 3N4004'S R147, 148, 247, 249, 248, 251, 252, 253 HERE 100	8/24/91	TLM	TE
H1, H2 H1, H2 H1, H2		③	DELETE R100 AND R101 R100-R101, R100-1000 HERE 150K L300, L400 HERE 1, 6UH ADD D114, E18, D14, D18 ADD T1-1 T-1WJ T1-1-0 H8, H10 H8, H10 H8, H10	10/05/92	LCD	JM
		④	REMOVE R100 BETWEEN P90-3 AND P90-1 AND P90 BETWEEN P90-1 AND P90-2	04-10-93	LCD	JM

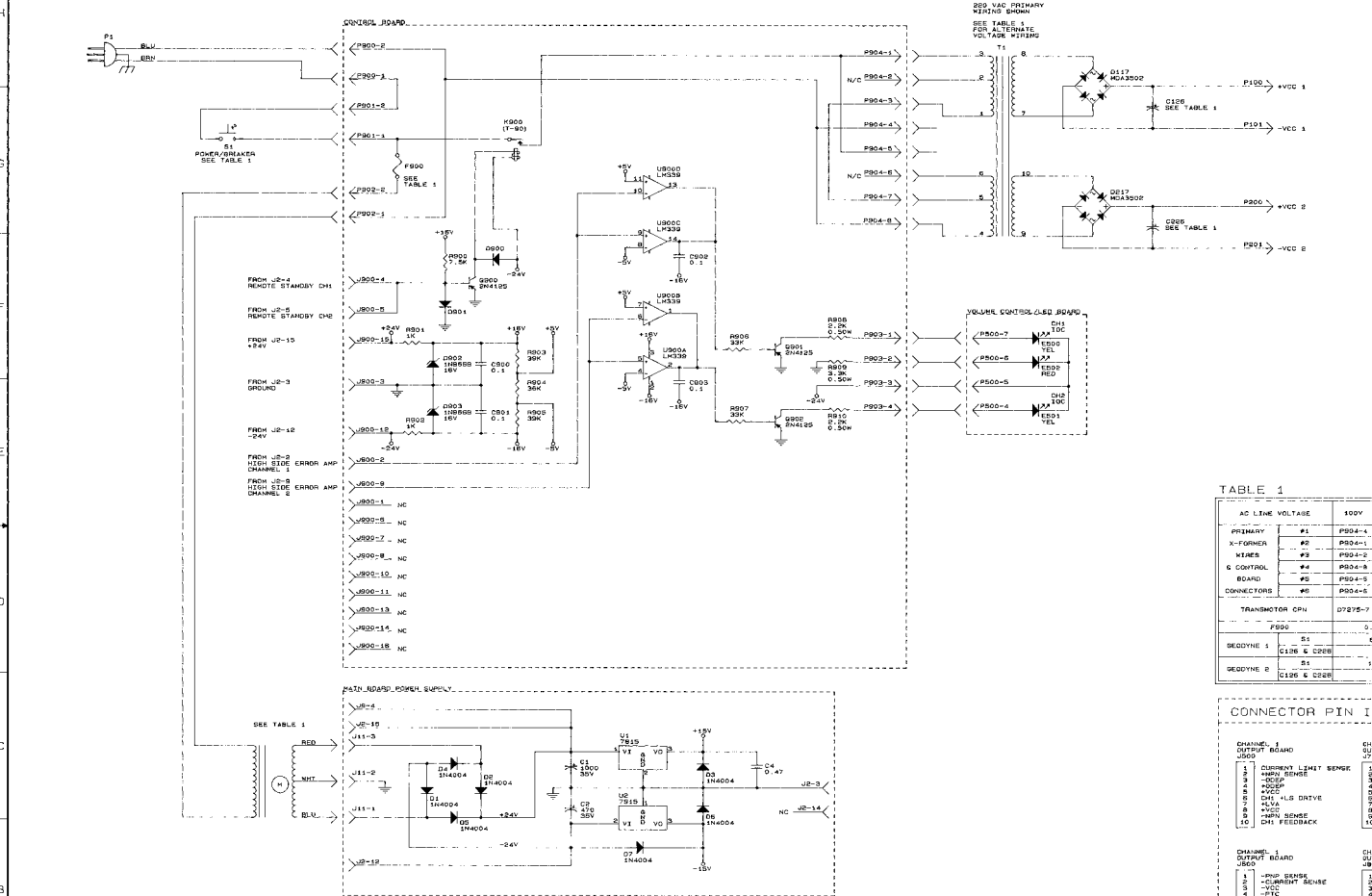


TABLE 1

AC LINE VOLTAGE	100V	120V	220/230V	240V
PRIMARY	#1 P904-4	P904-4	P904-3	P904-3
X-FORMER	#2 P904-1	P904-2	P904-2	P904-2
WIRES	#3 P904-2	P904-1	P904-1	P904-1
S CONTROL BOARD	#4 P904-4	P904-4	P904-4	P904-4
CONNECTORS	#5 P904-5	P904-5	P904-7	P904-7
TRANSFORMER C/W	D7875-7	D6603-7	D6604-5	
P900	0.5A	0.25A	0.25A	
GEODYNE 1	S1	8A	4A	
	C106 & C206	7800 / 80V		
GEODYNE 2	S1	15A	8A	
	C106 & C206	10000 / 110V		

COMMON

LAST USED	OBSOLETE
07	C3
R18	R2, 3, 5, 6, 11-15
S4	S1, 2
U2	

CHANNEL 1

LAST USED	OBSOLETE
C157	C102, 121, 125, 127, 128, 131, 132, 140, 143
C130	C100-107, 114+116, 119, 119
N102	
E192	D114
H190	H100, 112, 114, 115, 116, 117, 149, 172, 174
H216	H900-905
U164	

CHANNEL 2

LAST USED	OBSOLETE
D257	C202, 221, 225, 227, 228, 231, 232, 242, 243
D293	D200-207, 214-216, 219, 219
H202	
H202	D214
H900	H900, 212, 214, 215, 216, 217, 269, 272, 274
H1015	R1000-1005
U204	

CONNECTOR PIN IDENTIFICATION

CHANNEL 1 INPUT BOARD J900	CHANNEL 2 OUTPUT BOARD J700
1 - CURRENT LIMIT SENSE	1 - CURRENT LIMIT SENSE
2 - +MPP SENSE	2 - +MPP SENSE
3 - -MPP SENSE	3 - -MPP SENSE
4 - +OCP	4 - +OCP
5 - -OCP	5 - -OCP
6 - +VLS DRIVE	6 - +VLS DRIVE
7 - -VLS DRIVE	7 - -VLS DRIVE
8 - +VLS	8 - +VLS
9 - -VLS	9 - -VLS
10 - +MPP SENSE	10 - +MPP SENSE
11 - -MPP SENSE	11 - -MPP SENSE
12 - +MPP FEEDBACK	12 - +MPP FEEDBACK

CROWN INTERNATIONAL, INC.
1719 WEST NICHAMAKA ROAD ELKHART, IN. 46517 PHONE (317) 284-8000

SCHMATIC: GEODYNE MAIN

PRINTS TO	CHANN	TLM	8/2/91	APPROVED BY	DO NOT SCALE PRINT
GA					
CHECKED				HE	SUPP/SECS JC435-B REV. D
SCALE		NONE		EE	E.C.N. J0435-B 8/24/91
PAID #		2287		FE TS	C.P.N. SHEET 2 OF 2
NEXT ASSEMBLY					J0435-B REV. D